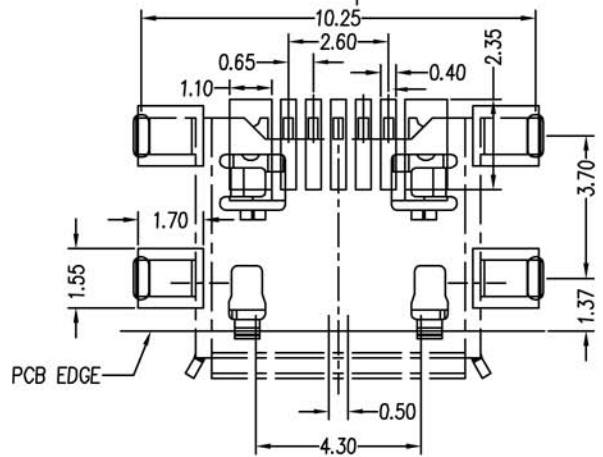
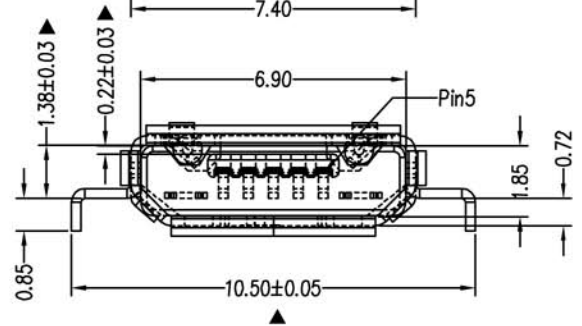
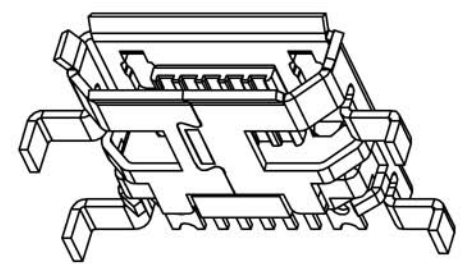
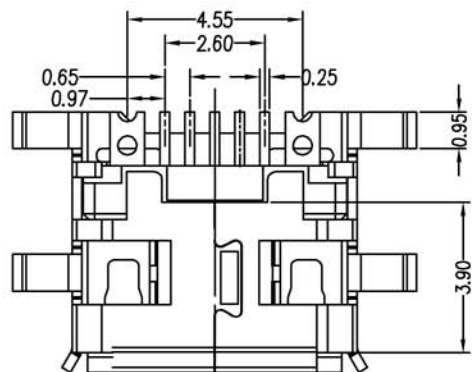
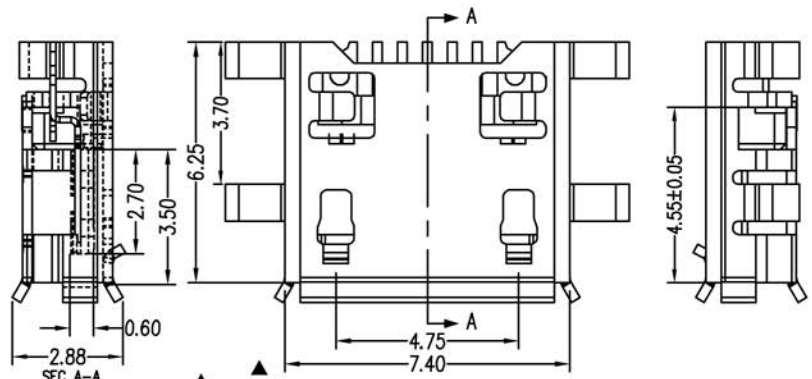
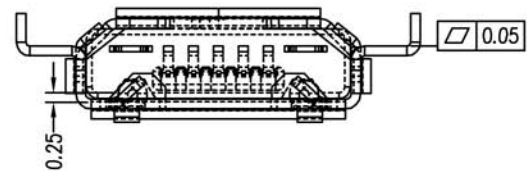


REV.	ECN NO	LOCATIONS	DESCRIPTION	DATE	REVISED	APPD



- Note:
- Material:
    - Housing: High temperature thermoplastic with g.f,UL94v-0
    - Contact: copper alloy,t=0.20mm
    - Shell: copper alloy,t=0.25mm
  - Specification:
    - Current rating: 1 A Max.
    - Dielectric withstanding voltage: 100 V(ac) for 1 min.
    - Contact resistance: 50 mΩ Max.
    - Insulation resistance: 100 MΩ Min.
    - Total mating force: 3.57 Kgf Max.
    - Total unmating force: 1.0 Kgf Min.0.81~2.05 Kgf Min.after 10000 insertion/extraction cycles
    - Temperature range: -30°C~80°C

Order Information:  
 1-MD05SMXXX-01  
 ① ② ③ ④ ⑤ ⑥ ⑦ ⑧ ⑨

RECOMMENDED PCB LAYOUT

- |                |           |                   |                  |
|----------------|-----------|-------------------|------------------|
| 1: Assy.       | 5: Style  | 7: Cotact plating | 8: Shell plating |
| 2: Series No.  | M: Smt    | 1: 1u"            | T: Tin           |
| 3: Contact No. | 6: Color  | 2: 3u"            | N: Nickel        |
| 05: 5 pos.     | B: Black  | 3: 5u"            | A: Au plated all |
| 4: P: Plug     | W: White  | 4: 15u"           | B: None          |
| S: Socket      | N: Nature | 5: 30u"           | ...              |

PART NO: 1-MD05SMXXX-01				MATERIAL: SEE NOTE		TITLE: Micro usb 5s B Type (沉板式) Smt	
MODEL NO:				FINSH: SEE NOTE		CUSTOMER DRAWING	
UNIT: mm		SIZE: A4		COLOR: SEE NOTE		DR: ???	
TOLERANCE UNSPECIFIED				CHK: ???		DWG NO: A055	
.x ±0.38				APP: ???		SCALE: 1:1	
.xx ±0.25				DWG NO: A055		REV: A	
.xxx ±0.13				SCALE: 1:1		SHEET: 1/1	
ANG. ±2°				SCALE: 1:1		SHEET: 1/1	

No.	Name	Q'ty	Finish
3	Shell	1	N/A
2	Contact	5	N/A
1	Housing	1	N/A